

## DH-HAC-HDBW1100E

---

1Megapixel 720P Vandal-proof IR HDCVI Mini Dome Camera



### Features

- 1/2.9" 1Megapixel CMOS
- 25/30fps@720P
- High speed, long distance real-time transmission
- Day/Night(ICR), AWB, AGC, BLC, 2DNR
- 3.6mm fixed lens (2.8mm, 6mm, 8mm optional)
- Max. IR LEDs length 30m, Smart IR
- IP67, IK10, DC12V

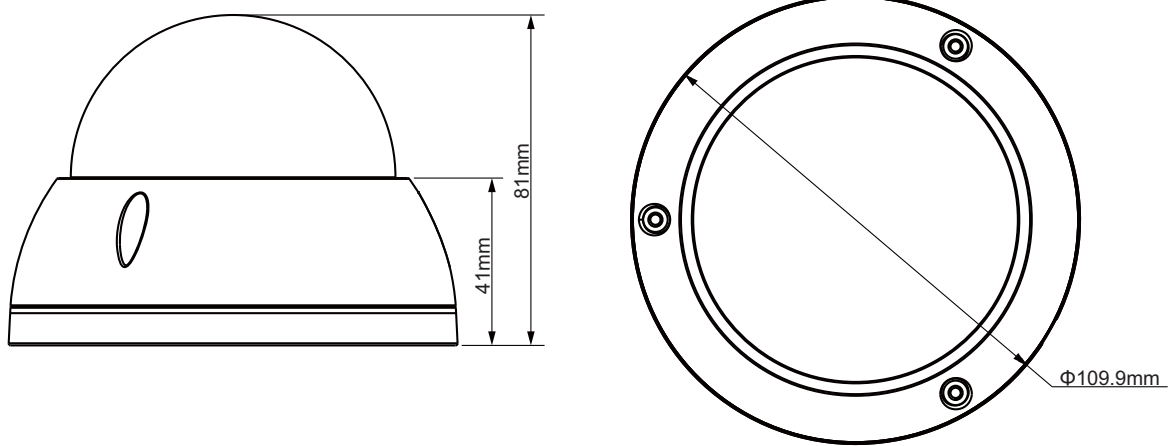
# DH-HAC-HDBW1100E

## Technical Specifications

Model	DH-HAC-HDBW1100EP	DH-HAC-HDBW1100EN
<b>Camera</b>		
Image Sensor	1/2.9" 1Megapixel CMOS	
Effective Pixels	1280(H)×720(V)	
Electronic Shutter	1/50s~1/100,000s	1/60s~1/100,000s
Video Frame Rate	25fps@720P	30fps@720P
Synchronization	Internal	
Mini. Illumination	0.05Lux/F1.6, 0Lux IR on	
Video Output	1-channel BNC HDCVI high definition video output	
<b>Camera Features</b>		
Max. IR LEDs Length	30m, Smart IR	
Day/Night	Auto(ICR) / Color / B/W	
Noise Reduction	2D	
<b>Lens</b>		
Focal Length	3.6mm (2.8mm, 6mm, 8mm optional)	
Angle of View	H: 88° (98° /52° /39.4°)	
Mount Type	M12	
<b>General</b>		
Power Supply	DC12V±25%	
Power Consumption	Max 3W	
Working Environment	-30°C~+60°C / Less than 95%RH (no condensation)	
Transmission Distance	Over 800m via 75-3 coaxial cable	
Ingress Protection	IP67 & IK10	
Dimensions(W×D×H)	Φ109.9mm×81.0mm	
Weight	0.3kg	
Material	Metal	

# DH-HAC-HDBW1100E

## Dimensions (mm)



## Accessories (optional)

		
PFB200W	PFA136	PFA152

### Dahua Technology Co., Ltd.

1199 BinAn Road, Binjiang District, Hangzhou, China

Tel: +86-571-87688883

Fax: +86-571-87688815

Email: [overseas@dahuatech.com](mailto:overseas@dahuatech.com)

[www.dahuatech.com](http://www.dahuatech.com)

\*Design and specifications are subject to change without notice.

© 2014 Dahua Technology Co., Ltd.